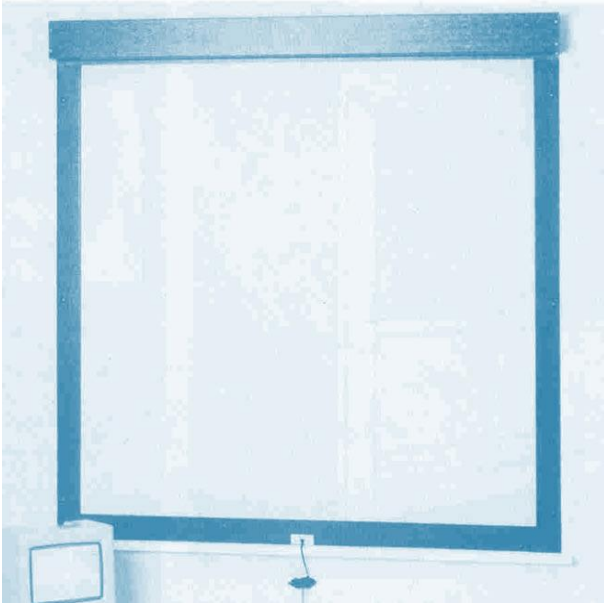


# Blackout Roller Blinds

PRODUCT  
INFORMATION



## Overview

Framed unit achieving an almost total blackout.

The blind basically comprises of a roller blind made up using a light excluding flame retardant PVC coated glass fibre fabric fitted within a blind box and frame.

The blind box, side and bottom channels are all constructed from pre painted steel with a tough 200 micron Plastisol coating.

The box and channel openings all have continuous nylon brush seals and the internal metal sections have rolled edges.

The units can be fitted inside or outside window reveals, over fan lights and underneath rooflights.

## Operation

Standard operation is by cord control which exits centrally from the bottom channel.

Alternatively operation can be by means of a gearbox or electrical control,

## Colours

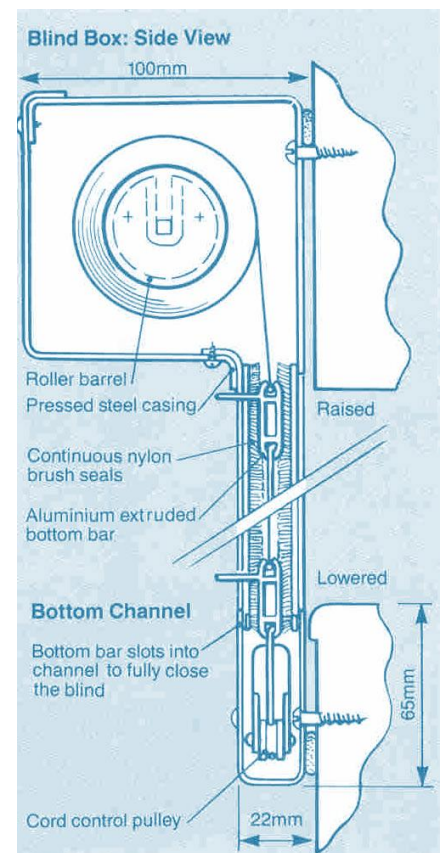
Standard colours for the blind frame are Black or White Plastisol whilst the blind fabric are available in a standard range of black, white, cream, grey, burgundy and bottle green.

## Sizes

Blinds are made up to a maximum area of 5.9 sq. metres (64sq. ft.), but neither the width or drop can exceed 3048mm. (10ft.)

The blind box is 100mm. square, whilst the side and cill channels are 65mm. wide x 22mm. deep.

When fitting outside reveals the blind should overlap the reveal by 100mm. at the top and 65mm. each side.



D & R Blinds and Shutters

19 Staveley Way Brixworth Northampton NN6 9EU

Telephone 01604 883744 Fax 01604 883755

E Mail [info@dr-blinds.co.uk](mailto:info@dr-blinds.co.uk) [www.dr-blinds.co.uk](http://www.dr-blinds.co.uk)

